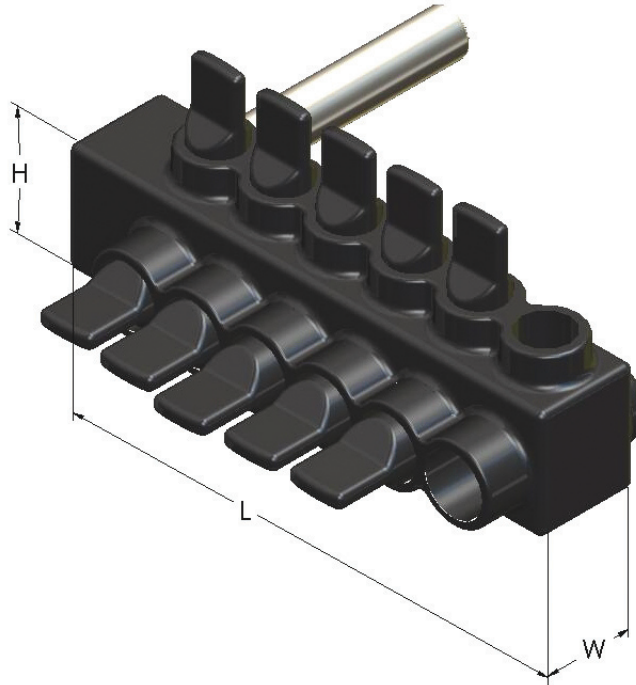


POLARIS UTILITY PRODUCTS

Overhead Transformer Connectors

TYPE: IPPT

- Manufactured from high strength 6061-T6 aluminum alloy to provide premium electrical and mechanical performance
- Stud is tin plated copper which provides low contact resistance for connection to transformer
- Connector is encapsulated in UV rated plastisol to prevent corrosion
- Connector is dual rated for Copper and Aluminum
- Connector meets or exceeds ANSI C119.4 Class A Specifications
- Custom Caps installed to make easy overhead installation
- Rated for 600 Volts



Catalog Number	Wire Range AWG	Wire Range MM	No. of Conductors	Copper Stud Diam	Stud Length	Length	Height	Width
IPPT250-4	250 - 10	120 - 16	4	1/2	4	5.75	2.00	1.50
IPPT250-5	250 - 10	120 - 16	5	1/2	4	6.61	2.00	1.50
IPPT250-6	250 - 10	120 - 16	6	1/2	4	7.47	2.00	1.50
IPPT250-8	250 - 10	120 - 16	8	1/2	4	9.31	2.00	1.50
IPPT350-212	350 - 10	185 - 16	2	1/2	4	4.57	2.50	2.00
IPPT350-412	350 - 10	185 - 16	4	1/2	4	5.62	2.50	2.00
IPPT350-612	350 - 10	185 - 16	6	1/2	4	7.72	2.50	2.00
IPPT500-2	500 - 10	240 - 25	2	3/4	4-1/2	5.16	3.00	2.50
IPPT500-3	500 - 10	240 - 25	3	3/4	4-1/2	6.31	3.00	2.50
IPPT500-4	500 - 10	240 - 25	4	3/4	4-1/2	7.47	3.00	2.50
IPPT500-5	500 - 10	240 - 25	5	3/4	4-1/2	8.63	3.00	2.50
IPPT500-6	500 - 10	240 - 25	6	3/4	4-1/2	9.79	3.00	2.50

IPPT OPTIONS:

- A - Anodized Set Screw**
- D - Disc Pad Screws**
- P - Inhibitor**

Example:

IPPT500-4AP

Anodized Screws

Inhibitor (Must be Last)